

产品执行标准 Production enforce standard

设计与制造 Desing and Manufacture	结构长度 Face to face/ End to end	法兰尺寸 Flang Dimension	对焊连接尺寸 Butt welding dimension	压力~温度 Pressure Temperature Lating	试验~检验 Inspection and test
ANSI B16.34, BS1873	ANSI B16.10	ANSI B16.5	ANSI B16.25	ANSI B16.34	API 598

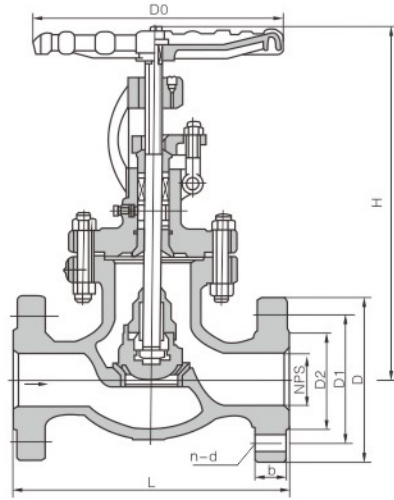
产品性能规范 Chief property and specification

公称压力(Lb) Nominal Pressore	强度试验 Shell test		水密封试验 Waetr seal test		气密封试验 Air seal test	
	MPa	Lbf/in ²	MPa	Lbf/in ²	MPa	Lbf/in ²
150	3.1	450	2.2	315	0.5~0.7	60~100
300	7.8	1125	5.6	815		
600	15.3	2258	11.2	1630		
900	23.1	3350	16.8	2440		
1500	38.4	5575	28.1	4080		
2500	64.6	9367	47.4	6873		

主要零件材料 Material for main parts

体、盖、瓣 Body Cover disc	阀杆 Stem	密封面 Sealing Face	垫片(环) Sealing shim	填料 Packing	工作温度(°C) Working temperature	适用介质 Suitable medium
WCB	2Cr13	13Cr STL 本体材料 With bodymaterial PTFE 尼龙 Nylor	增强柔性石墨 13Cr/柔性石墨 Enhanced Flexible graphite 1Cr13/Flexible graphite SFB-2 08软钢 08Soft steel F304 F316 F304L F316L	柔性石墨 增强柔性石墨 Flexible graphite enhanced flexible graphite SFB/260 SFP/260 PTFE	≤425	水、蒸气、油品 Water Steam Petroleum Products
WCC	38CrMoAl 25Cr2Mov				≤450	
WC6					≤540	
WC9					≤570	
C5C12					≤540	
CF8					F304	
CF3	F316					
CF8M	F304L					
CF3M	F316L					

Class150Lb



主要外形和连接尺寸 Main External and Connection Dimension

规格 Size		L	D	D1	D2	b	n-d	W	H	WT (Kg)
150LB										
1/2"	mm	108	90	60.5	35	12	4-15	125	169	3.8
	in	4.25	3.5	2.38	1.38	0.47	4-0.59	4.92	6.65	
3/4"	mm	117	98	70	43	12	4-15	125	180	4.2
	in	4.61	3.86	2.76	1.69	0.47	4-0.59	4.92	7.08	
1"	mm	127	108	79.5	51	12	4-15	125	190	8
	in	5	4.25	3.13	2	0.47	4-0.59	4.92	7.48	
1 1/2"	mm	165	127	98.5	73	14.3	4-16	180	347	13
	in	6.5	5	3.88	2.87	0.56	4-0.62	7.09	13.66	
2"	mm	203	152	120.5	92	15.9	4-19	180	356	21
	in	8.00	6.00	4.75	3.62	0.625	4-0.75	7.09	14	
2 1/2"	mm	216	178	139.5	105	17.5	4-19	240	381	30
	in	8.5	7	5.50	4.12	0.69	4-0.75	9.45	15.00	
3"	mm	241	190	152.4	127	19.1	4-19	280	413	41
	in	9.5	7.50	6	5	0.75	4-0.75	11.02	16.25	
4"	mm	292	229	190.5	157	24	8-19	280	500	64
	in	11.50	9.00	7.5	6.19	0.94	8-0.75	11.02	19.68	
6"	mm	406	279	241.5	216	25.4	8-22	360	656	113
	in	16	11.0	9.50	8.5	1.00	8-0.88	14.17	22.25	
8"	mm	495	343	298.5	270	29	8-22	450	660	190
	in	19.5	13.5	11.75	10.62	1.12	8-0.88	17.75	26.00	

Class300Lb~600Lb

主要外形和连接尺寸 Main External and Connection Dimension

规格 Size		L	D	D1	D2	b	n-d	W	H	WT (Kg)
300Lb										
1/2"	mm	152	95	66.5	35	15	4-15	125	190	4.5
	in	5.98	3.74	2.62	1.38	0.95	4-0.59	4.92	7.84	
3/4"	mm	178	117	82.5	43	16	4-19	125	212	8
	in	7	4.61	3.25	1.69	0.62	4-0.75	4.92	8.35	
1"	mm	203	124	89	51	18	4-19	160	231	10
	in	8	4.9	3.50	2	0.71	4-0.75	6.2	9.1	
1 1/2"	mm	229	156	114.5	73	20.7	4-22	200	391	18.5
	in	9	6.12	4.51	2.87	0.81	4-0.87	8	15.43	
2"	mm	267	165	127	92	22	8-19	200	406	37
	in	105	6.5	5	3.62	0.88	8-0.75	7.87	16.00	
2 1/2"	mm	292	190	149	105	25	8-22	240	457	50
	in	11.5	7.5	5.88	4.12	1.00	8-0.88	9.45	18.00	
3"	mm	318	210	168.5	127	29	8-22	280	470	61
	in	1250	8.25	6.62	5	1.12	8-0.88	11.02	18.50	
4"	mm	356	245	200	157	32	8-22	320	590	99
	in	14.00	10.00	7.88	6.19	1.25	8-0.88	12.60	23.23	
6"	mm	444	318	270	216	37	12-22	500	711	176
	in	17.50	12.50	1062	8.5	1.44	12-0.88	19.68	28.00	
8"	mm	559	381	330	270	41	12-25	500	750	333
	in	22.0	15	13.00	10.62	1.62	12-100	19.68	29.50	
600Lb										
1/2"	mm	165	95	66.5	35	15	4-15	160	285	6
	in	6.5	3.74	2.62	1.38	0.59	4-0.59	6.2	11.22	
3/4"	mm	190	117.5	82.5	43	16	4-19	160	285	9
	in	7.48	4.61	3.25	1.69	0.62	4-0.75	6.2	11.22	
1"	mm	216	124	89	51	18	4-19	160	313	12
	in	8.5	4.9	3.5	2	0.71	4-0.75	6.2	12.32	
1 1/2"	mm	241	156	114.5	73	23	4-22	240	365	22
	in	9.5	6.12	4.51	2.87	0.91	4-0.88	9.45	14.17	
2"	mm	292	165	127	92	25	8-19	240	444	39
	in	11.50	6.50	5.00	3.62	1.00	8-0.75	9.45	17.50	
2 1/2"	mm	330	190	149	105	29	8-22	240	483	50
	in	18	7.50	5.88	4.12	1.12	8-0.88	9.45	19	
3"	mm	358	210	168	127	32	8-22	280	533	68
	in	14.00	8.25	6.62	5	1.25	8-0.88	11.02	21	
4"	mm	406	273	216	157	38.1	8-25	360	622	120
	in	16.00	10.75	8.5	6.19	1.5	8-1.00	14.17	24.50	
6"	mm	459	356	292	216	47.7	12-29	500	800	220
	in	19.50	14	11.5	8.5	1.88	12-1.14	19.68	31.50	
8"	mm	597	419	349	270	55.6	12-32	550	927	450
	in	23.50	16.5	13.75	10.62	2.19	12-1.25	21.65	36.50	